

标准与选购配备

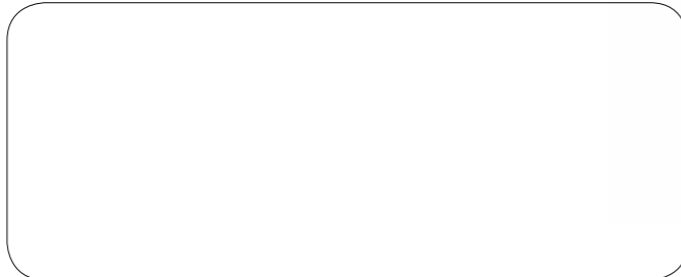
Standard & Optional accessories

塑机型号 Model	YS700	YS1080	YS1380	YS1880	YS1900	YS2280	YS2300	YS2880	YS3380	YS3800	YS5200	YS6380	YS6500	YS7800	YS10000	YS12500	YS16000
五铰机构锁模 5 Points vertical double toggle mechanism																	
双缸平衡式注射系统 Dual-cylinder balance injection system	-																
多级压力、多级速度注射 Multi-stage pressure & speed injection																	
注射背压可调 Back-pressure adjustment device																	
低压模具保护 Low-pressure mould protection																	
液压顶抽插芯 Hydraulic core pulling & inserting																	
多种液压顶出方式 Multiple hydraulic ejector modes																	
机械、电气安全装置 Mechanical, electrical safety devices																	
集中润滑系统 Concentrate lubrication system																	
位置尺控制 Linear transducer control																	
氮化螺杆料筒 Nitrided screw and barrel																	
旁通过滤装置 Bypass filter device																	
名牌液压元件优化组合 Optimized composition of hydraulic elements of the famous brands control																	
多组抽插芯 Multiple hydraulic core pulling & inserting																	
多重CPU电脑系统 Multiple options of computer CPU systems																	
液压安全装置 Hydraulic safety device																	
加长喷嘴 Extended nozzle																	
机械手 Robot																	
干燥料斗 Hopper dryer																	
自动上料机 Auto-loader																	
塑料除湿机 Automatic plastic dehumidifier																	
模温控制机 Mould temperature controller																	
冷水机 Chiller																	
特殊螺杆和料筒 Special screw & barrel																	
PVC风机装置 PVC fan device																	
半闭环控制系统 Semi-closed loop control system																	

标准配备 Standard 选购配备 Optional - 无 N/A
我们保留技术发展而改动配置的权利(Remark: We reserve the right to make any accessories improvement without prior notice)

宁波永生塑料机械有限公司
NINGBO YONGSHENG PLASTIC MACHINERY CO.,LTD.

地址：中国宁波市鄞州区春园路268号
ADD: 268 Chunyuan Road, Yinzhou District, Ningbo City, Zhejiang Province, China
销售(Sales)：+86-574-88123378
服务(Service)：+86-574-88231671
投诉(Complaint)：+86-574-88231691
传真(FAX)：+86-574-28813463
邮编(P.C.)：315100
E-mail:ys@yscn.cn
Http://www.yscn.cn
Http://www.yongshengmachine.com



YS 永生系列塑料注射成型机

SERIES INJECTION MOLDING MACHINE

伺服、高速精密注塑机系列
SERVO,HIGH-SPEED PRECISION INJECTION
MOLDING MACHINE SERIES

BMC、混色、多色门帘专用机系列
BMC,BLENDING MULTICOLOR CURTAIN SPECIAL
MACHINE SERIES

CREATE HARMONY FOR EVERYTHING, BUILD ETERNAL VITALITY
YONGSHENG PLASTIC MACHINERY

创万物和谐 造永恒生机 — 永生塑机

永生塑机

www.yongshengmachine.com 永生塑机



关于我们 ABOUT US

宁波永生塑料机械有限公司创建于1998年，位于风景秀丽的港城宁波，地处沪杭甬高速公路旁，距离宁波栎社机场和北仑港码头不到半小时路程，交通十分便利。

公司拥有自主研发设计团队，采用三维软件设计，设备先进，并拥有高精度数控加工中心，员工精干，享誉业内。其董事自70年代即开始从事注塑机研究、设计、生产，致力于为客户打造高品质专业级个性化注塑机。公司现生产二十多种规格注塑机，锁模力范围70吨-1600吨，注射重量为80g-10000g多类注塑机，集机、电、液的最新技术于一体包括：K系列、伺服节能系列、薄壁系列、清(混)双色系列、BMC、PET、PVC、PC、瓶盖等系列专用机。整机配备日本、美国、意大利、法国、德国、台湾等国家和地区生产的液压和电控元件，具有高刚性、强锁模力、高注射压力、精密耐用等特点。使用永生塑机的客户遍布全球。

追求突破性与创新是永生塑料机械有限公司的一贯风格。我们追求在瞬息万变的科技领域中实际了解客户的需求，创新求变，精益求精。由于客户的支持与爱护，永生公司不断在稳定中成长，现已成为中国高品质的注塑机制造商之一。在此热忱期盼与您的合作，更期盼您不吝的赐教，使我们能更好地为您服务。选择永生，是您全方位提高市场竞争力的最佳选择。

Ningbo Yongsheng Plastic Machinery Co., Ltd. was founded in 1998, located in Ningbo city, China. It is by the Shanghai-Hangzhou-Ningbo Expressway, only 30 minutes drive away from Ningbo Lishe international Airport (NGB).

The Company has its own design team for independent research and development, has advanced equipment, applies the leading 3-D software for design and owns high-precision numerical control machining center. The directors of the Company started the research, design and manufacture of plastic injection molding machines in the 1970s, they are dedicated to create high quality professional personalized injection molding machine for the customer, and enjoys a good reputation in the industry.

Now, the Company produces various plastic injection molding machines more than 20 types, with mold clamp force ranging from 70 ton to 1600 ton and injection weight ranging from 80g to 10000g. Its product integrate the latest mechanical, electrical and hydraulic technologies into one, including K series, servo energy-saving series, thin-walled series, clear (mixed) double-color series, BMC, PET, PVC, PC and bottle-cap series machines. The complete machines are equipped with hydraulic and electrical control elements branded from Japan, the US, Italy, France, Germany and Taiwan, and have the characteristics of high rigidity, high clamp force, high injection pressure, high precision and being durable. Yongsheng plastic injection molding machines have many customers home and abroad.

Seeking for breakthrough and innovations in technologies is the constant style in our company. We are dedicated to supply the best project to meet customer's actual demands. With customers' supports and love, Yongsheng is growing up steadily and now is already one of high-quality plastic injection molding machine manufacturers in China. Here we expect cooperation with you. Any advice and suggestion will be appreciated by us.

发展历程 COMPANY DEVELOPMENT

1998

公司成立
The company was founded

2005

伺服精密注塑机
Servo, High-Speed Precision Injection Molding Machine

2010

混双色，多色注塑机
Blending multicolor machine

2002

建立海外市场
Set up the overseas market

2008

BMC 专用机
BMC machine

2015

2011

三维拉弯滚压车门生产设备
Three villa bending roller door production equipment

www.yscn.cn

ys@yscn.cn

永生塑机

YONGSHENG PLASTIC MACHINERY R&D/EQUIPMENT 研发 / 设备

为了产品品质的保证，永生公司配备了大量先进的检测设备和优秀的检验员与计量工程师，分布在产品制造的各个环节。机器出厂前都要进行连续运转试验，并且对于诸如锁模力、注射速率、预塑速率、开闭模速度等机器所有要求的参数和精度进行逐一检测，并记录在每个机器的质量档案中。始终要求出厂的机器达到百分之百的合格

To ensure the product quality, Yongsheng has a lot of advanced testing equipments and excellent inspectors and metering engineers, allocated to each operation steps of product manufacturing. Before delivery, we carry out continuous running test of the machines, and test each parameter and accuracy, including mold clamp force, injection rate, pre-injection rate, mold opening and closing speed and record these parameters down in the quality file of each machine. We always require that each machine delivered to the customers is 100% qualified.



稳定：双缸注射，性能可靠稳定

Stability: dual cylinder injection, perform stability and reliability

节能：高度优化的伺服节能技术，效率更高，单位能耗更低
Energy saving: high optimistic servo energy saving technology, higher efficiency and lower energy consumption.

安全：符合最新的国家安全标准，更加安全可靠

Safety: comply with the latest national safety standard, more safety and stability

高效：高度优化的合模单元，高速开合模更平稳，有效缩短循环周期
High efficiency: high optimistic clamping unit, high speed mold close and mold open more smoothly, greatly shorten cycle time.

精度：高度优化的机械结构配合高性能控制器，有效提升机器寿命和精度
Precise: high optimistic mechanical structure with high performance controller, greatly increase machine service life and precise.



YONGSHENG APPLICATIONS

永生应用领域

按客户需求专业定制个性化注塑机二维 / 三维拉弯专用机



01 PET 瓶胚专用机
PET preform
special machine

02 伺服瓶盖专用机
Servo closure
special machine

03 PVC 管件专用机
PVC pipe fitting
special machine

04 BMC 专用机
BMC special
machine

05 高速薄壁机
High speed thin-walled
special machine

06 混双色、多色专用机
Blending multicolor
special machine

07 大型生活用品专用机
Living goods
special machine

08 亚克力专用机
Acrylic diamond
special machine

09 医疗设备专用机
Medical equipment
special machine

10 汽配、二维、
三维拉弯机
Automobile accessory,
two-dimension,
three-dimension
stretch bending machine

THE FOUR PARTS 四大部件

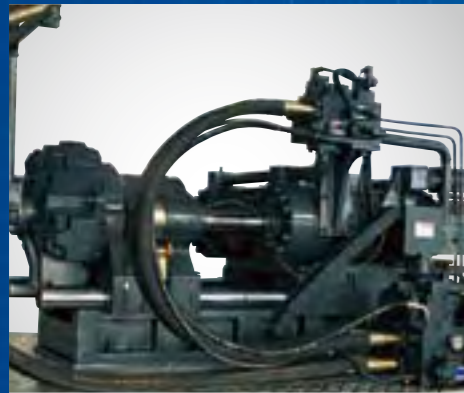


01

合模单元 CLAMPING UNIT

- 内卷五支点曲肘式锁模结构，大大提高锁模部分结构刚性和精度。
- 箱式桥梁结构活动模板及高刚性全连体后模板，经有限元分析强化，保证模板不易变形且经久耐用。
- 拉杆由优质合金结构钢镀铬制成，高强度且耐疲劳。
- 配备低压模具保护装置。
- 多段锁模压力、速度及位置控制。
- 液压油马达驱动齿圈调模。
- 多种液压顶出模式。

- Internally-rolled 5-point double toggle mold clamp structure, greatly increases rigidity and precision of the mold clamp unit.
- With box type bridge structure, moving platen, and high-rigidity continuous rear platen reinforced through finite-element analysis, we guarantee that the mold platens are not deformable and are durable.
- The tie rods are made of high-quality structural alloy steel plated with hard chromium, with high mechanical strength and fatigue strength.
- Provided with low-pressure mold protection device.
- Multi stages controlling of mold clamp pressure, speed and position.
- Mold thickness adjusted through ring gear driven by hydraulic oil motor.
- Several hydraulic ejection modes.



02

注射单元 INJECTION UNIT

- 采用双导柱支承，双缸平衡注射装置，保证螺杆注射前进过程中受力平衡、均匀。
- 优质合金氮化或镀铬螺杆、氮化料筒，耐腐蚀及耐疲劳，大大增长使用寿命。
- 喷嘴对中微调装置。
- 高扭力液压马达驱动螺杆预塑装置。
- 多段注射速度、压力、位置设定。
- 针对不同特性工程塑料，提供专用螺杆料筒，确保制品成型品质。

- Use of double guide posts and dual-cylinder balance injection device, guarantees that balanced and uniform forces are applied on the screw during injection and moving forward.
- High-quality alloy screw nitride or with chromium plating, and nitride barrels, are protected against corrosion and fatigue, which greatly increase their service life.
- With fine adjustment of nozzle centering.
- Screw preplasticizing driven by high torque hydraulic motor device.
- Multiple injection speed, pressure and position settings.
- Special screws and barrels are provided according to different properties of engineering plastics to ensure the molding quality of finished products.



03

润滑单元 LUBRICATION UNIT

- 采用容积式电动润滑器，自动集中润滑，油路分配均匀，润滑效率高，增长曲肘寿命。
- With use of volumetric electrical lubricator, automatic centralized lubrication and uniform oil distribution in the pipeline, the machines have high lubrication efficiency and long toggle life.



04

液压单元 HYDRAULIC UNIT

- 采用世界著名品牌油泵及控制阀，精密控制液压机构的力、速度及方向，确保整机准确性、可靠性、稳定性和耐用性。
- 定量泵控制系统，输出稳定、高响应。
- 主要液压元件、密封件均采用世界知名品牌。
- 管路布置更为合理美观，维修保养容易。

- Well-known oil pump and control valves in the world are used, to execute accurate controlling over the force, speed and direction of hydraulic mechanism and ensure the accuracy, reliability, stability and durability of the machine.
- Control system of the constant displacement pump ensures steady outputs and high response. Main hydraulic elements and seals are international well-known brands. The pipelines are arranged more reasonably and better, and thus ensure easy maintenance.

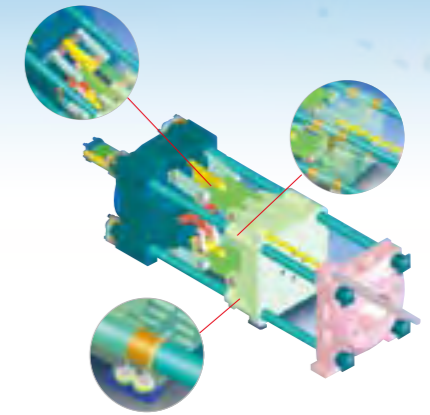
YS SERIES MACHINE TYPE INTRODUCTION 永生 YS 系列机型介绍

YS 系列节能注塑机

YS 系列采用箱式桥梁结构活动模板及高刚性全连体后模板，经有限元素分析能防止模板变形，耐疲劳，重复精度高，合模力分配均称，制品精度高，大大延长模具寿命，降低了制品成本。

YS SERIES ENERGY-SAVING INJECTION MOLDING MACHINE

YS series has moving platen featuring box type bridge structure and full-connected rear high-rigidity mold platen. Through finite element analysis, it can prevent deforming of mold platen, resist against fatigue, have high repetition accuracy, distribute mold closing force uniformly, greatly increase mold's service life and reduce the molded parts cost.



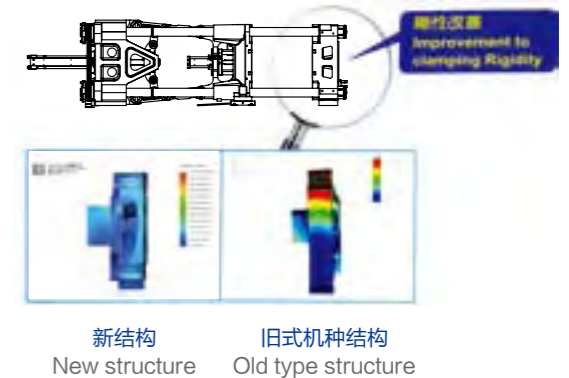
三维整体设计系统 3D integrated design system

V6系列伺服节能配置

V6 SERIES SERVO ENERGY-SAVING CONFIGURATION

根据产品、成型条件的不同，伺服节能注塑机比传统定量泵注塑机相比，最高节能可达70%，相比变量泵注塑机节能可达40%。

Depending on different products and molding conditions, plastic injection molding machines with servo energy-saving configuration can save at most 70% energy and 40% as compared with respectively traditional machines with constant displacement pump and the machines with variable pump.



新结构 New structure 旧式机种结构 Old type structure

电控箱

CONTROL CABINET



- 性能卓越 • High performance
- 人性化操作 • User friendly
- 多国语言系统支援 • Multi-language system available

高刚性锁模机构

大幅提高夹模系统之刚性强度，确保射出成型过程中模具的最小变形量。

High-rigid Clamping Unit

Upgrade the rigidity and strength to assure the mild minimal deformation during molding process

结构特性 STRUCTURE FEATURES

高刚性夹模系统设计，比旧式机种提高30%的机构刚性，确保磨具寿命。

The high rigid clamping design upgrade its rigidity to 30% stringer than conventional ones, and free from deforming molds.



YS V6 SERIES

ENERGY SAVING HIGH-PRECISION INJECTION MOLDING MACHINE

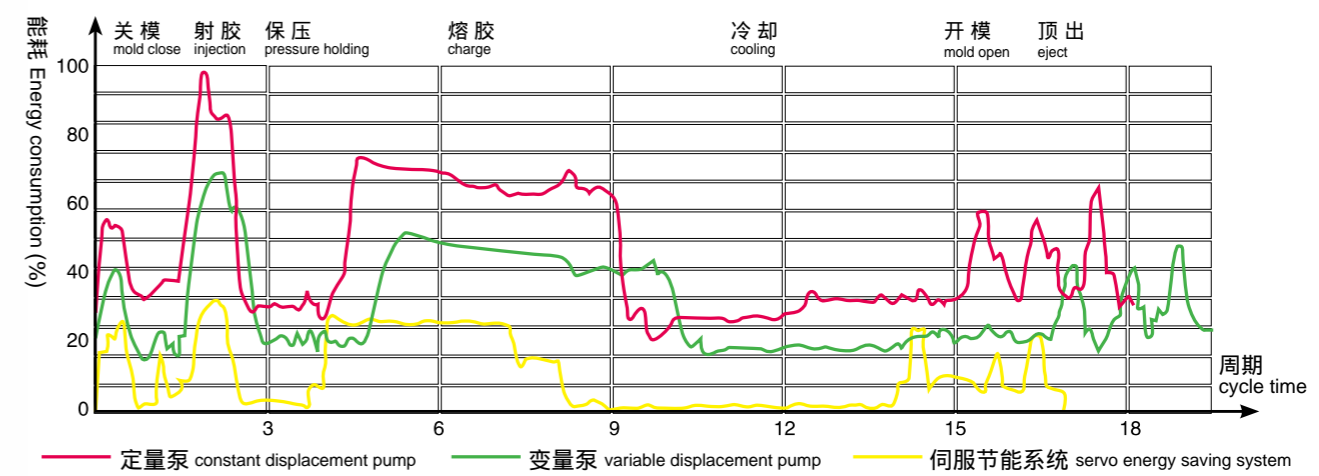
YS V6 SERIES

ENERGY SAVING HIGH-PRECISION INJECTION MOLDING MACHINE

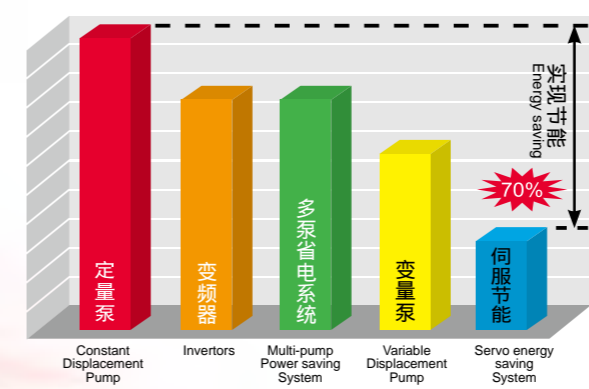
永生 V6 系列伺服节能精密注塑机



功率消耗曲线比较图 TEST OF ENERGY EFFICIENCY



耗电量 Power consumption



注：射出量按聚苯乙烯比重1.05计算；因产品不断改良，参数变更时恕不另行通知。
 Notes: The Shot weight is based on polystyrene at specific gravity of 1.05. For product improvement, the parameters are subject to change without prior notice.

节能效果比较 TEST OF POWER-SAVING

根据产品、成型条件的不同，伺服节能注塑机比传统定量泵注塑机相比，最高节能可达70%，相比变量泵注塑机节能可达40%。
 According to different products and molding conditions, servo power-saving injection molding machine can save 70% more power than traditional constant displacement pump injection molding machine, and 40% than variable pump injection molding machine.

耗电量比较 COMPARISON

注：使用右述各项节能系统的最佳条件：保压时间长、冷却时间长、一分钟2~3模以内的产品、厚件产品等，上述各种方法的节能效果才能显著。

Remark: To achieve best performance of those power saving system, production should be in this case : Long pressure holding time, long cooling time, and productivity less than 2~3 cycles within one minute, thick walled products. These power saving systems will have outstanding efficiency.



RESPECTED AND SUSTAINABLE

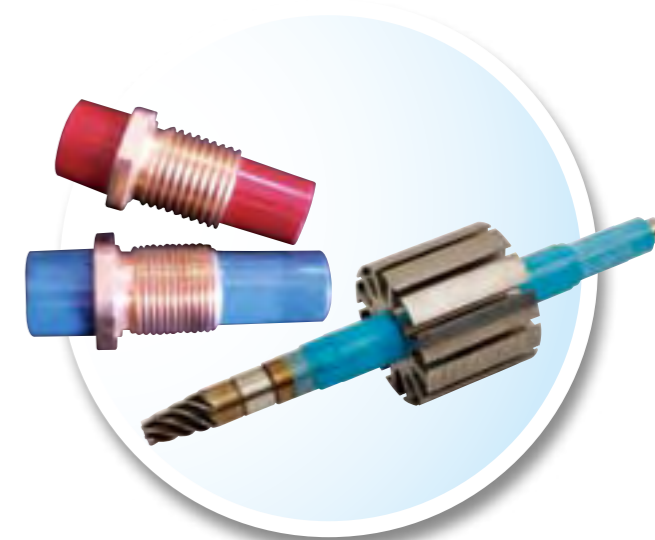
BMC是以特殊不饱和聚脂为主的热固硬化性树脂，具有耐高温、耐燃性、耐蚀性、高机械强度、尺寸安定、电器绝缘等特性。可应用于汽车类零件、电子工业、家用电器及通讯器材的外壳及零件。

BMC (Bulk Molding Compounds) is one of the thermosetting plastic material. BMC has many properties including Heat-resistance, Flame-retardant, Erode-resistance, High Mechanical Strength, Dimensions Stability and Electrical Insulated. It is widely used into kinds of industries including Automotive parts, Electronic parts, Household appliances and Communication equipment.

BMC VARIABLE

(SERVO) ENERGY SAVING
INJECTION MOLDING MACHINE
(SPECIAL MACHINE)

BMC 变量 (伺服)
节能专用注塑机 (特种机)



BMC 系列专用注塑机
BMC series plastic injection molding machines

项目	NAME OF ITEM		YS1600V-BMC		YS1900V-BMC		YS2880V-BMC		YS3380V-BMC		YS5300V-BMC	
注射部分：	Injection unit	单位										
螺杆规格	Screw type		B	C	B	C	B	C	B	C	B	C
螺杆直径	Screw diameter	mm	42	45	45	48	55	60	60	65	80	85
螺杆长径比	Screw L/D ratio	L/D	22.4	20.9	20.8	19.6	21.8	20	22.4	20.8	21.9	20.6
理论注射容积	Theoretical shot volume	cm ³	332	381	381	434	736	876	918	1077	2260	2552
注射重量 (BMC)	Shot weight	g	597	685	685	781	1324	1576	1652	1938	4068	4593
注射压力	Injection pressure	Mpa	190	165	165	145	170	142	198	169	163	145
螺杆转速	Screw rotation speed	r.p.m	5-160		5-160		5-150		5-150		5-120	
合模装置：	Clamping unit											
合模力	Clamping force	KN	1600		1900		2880		3380		5300	
移动模板行程	Opening stroke	mm	390		460		580		640		760	
模厚	Mould thickness	mm	150-430		160-530		200-600		230-680		330-830	
拉杆内距 (水平 X 垂直)	Space between tie-bars (HXV)	mm	420X400		495X475		605X605		660X660		820x800	
模板尺寸	Platen dimensions	mm	625X600		710X690		875X875		960X960		1170X1150	
模具定位孔	Mould register hole force	mm	φ125		φ125		φ160		φ160		φ160	
液压顶出力	Ejector force	KN	45		60		80		100		160	
顶出行程	Ejector stroke	mm	140		150		170		160		180	
顶出杆根数	Ejector quantity	PC	5		5		9		13		17	
其他：	Others											
油泵电机功率	Motor Power	KW	12-24		12-24		18-36		23-46		36-72	
机器尺寸 (长宽高)	Machine dimensions (LxWxH)	m	4.72X1.37X2.42		5.2X1.46X2.45		6.0X1.65X3.05		6.8X1.7X3.1		8.5x2x3.6	
机器重量	Machine weight	t	4.2		5.3		9.2		11.2		20.8	
油箱容积	Oil tank capacity	L	230		320		500		500		1000	

注：射出量按BMC比重1.95计算；因产品不断改良，参数变更时恕不另行通知。

Notes: The shot weight is based on BMC at specific gravity of 1.95. For product improvement, the parameters are subject to change without prior notice.

YS G2/G3 SERIES

HIGH SPEED SERVO HIGH
PRECISE INJECTION MOLDING
MACHINE (SPECIAL MACHINE)

永生 G2/G3 系列高速伺服
精密注塑机 (特种机)



- 高速二轴同动薄壁专用注塑机G2
- High speed thin-walled two axis G2 simultaneous movement injection molding machine
- 高速三轴同动薄壁专用注塑机G3
- High speed thin-walled three axis G3 simultaneous movement injection molding machine
- G系列为结构紧凑且功能强大的注塑机，用于生产薄壁的产品，主要特征是基于系统性平台的模块，高速及高压射胶，可以使您的产品需求和生产过程达到最佳匹配。
- G series is compact and powerful injection molding machine, and is designed to manufacture thin-walled products. Its main characteristics are its system-platform-based modules and high-speed and high-pressure injection, which can realize optimum matching of your product quality demand and production process.



YS G SERIES

HIGH SPEED THIN-WALLED SERVO INJECTION
MOLDING MACHINE

永生 G 系列高速薄壁伺服注塑机

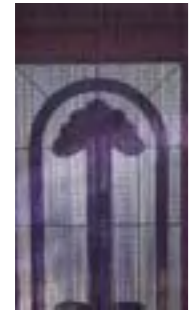
项目	NAME OF ITEM	单位	YS-1900G	YS-2300G	YS-3380G
注射部分 :	Injection unit				
螺杆规格	Screw type		A	A	A
螺杆直径	Screw diameter	mm	38	38	50
螺杆长径比	Screw L/D ratio	L/D	22	22	24
理论注射容积	Theoretical shot volume	cm ³	181	181	608
注射重量 (PS)	Shot weight	g	165	165	553
注射压力	Injection pressure	Mpa	189	189	205
注射速度	Injection speed	mm/s	300	300	300
螺杆转速	Screw rotation speed	r.p.m	5-200	5-200	5-200
合模装置 :	Clamping unit				
合模力	Clamping force	KN	1900	2300	3380
移动模板行程	Opening stroke	mm	460	520	640
模厚	Mould thickness	mm	180-550	200-565	250-700
拉杆内距 (水平 X 垂直)	Space between tie-bars (HXV)	mm	495X475	550X530	660X660
模板尺寸	Platen dimensions	mm	710X690	810X790	960X960
模具定位孔	Mould register hole force	mm	φ125	φ125	φ160
液压顶出力	Ejector force	KN	60	60	100
顶出行程	Ejector stroke	mm	150	150	160
顶出杆根数	Ejector quantity	PC	5	5	13
其他 :	Others				
油泵电机功率	Motor Power	KW	15-30	18-36	22-45
电热功率	Heater capacity	KW	7.7	7.7	7.7
机器尺寸 (长宽高)	Machine dimensions(LxWxH)	m	5.24X1.5X2.06	5.58X1.52X2.08	6.8X1.7X2.35
机器重量	Machine weight	t	5	6.6	15.1
油箱容积	Oil tank capacity	L	320	400	500

注：射出量按聚苯乙烯比重1.05计算；因产品不断改良，参数变更时恕不另行通知。

Notes: The Shot weight is based on polystyrene at specific gravity of 1.05. For product improvement, the parameters are subject to change without prior notice.

CLEAR TWO-COLOR CURTAIN SPECIAL INJECTION MOLDING MACHINE
清双色门帘专用注塑机

CLEAR THREE-COLOR CURTAIN SPECIAL INJECTION MOLDING MACHINE
清三色门帘专用注塑机



射出两组及开合模均采用线性电子尺，可准确控制开合模及射出行程。

Injection of the two groups and mold opening/closing are carried out by using linear electronic transducer, allowing accurate control over mold opening/closing and injection stroke.

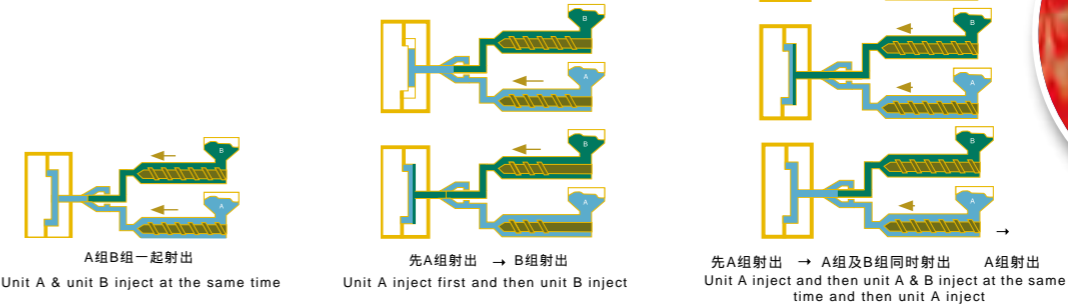


此设计结构为我公司专利（严禁仿冒）：在高压注射时，高压熔体作用在活动喷嘴上下（上下2个喷嘴），该活动喷嘴通过弹簧的压紧力将活动喷嘴前端紧紧压在模具浇口上，以达到防止漏料的目的，无需人工校正，提高了产品稳定性及生产效率，降低了生产成本。

The structure design is our company patent which prohibits copy. The high pressure melted material contact the movable nozzle while high pressure injection. The movable nozzles are upper and down ones that get its front end firmly pressed with the mould gate using pressure force from the spring. This is to prevent material leakage without necessity to have it revised manually. Greatly increase the product stability and productivity, and lower the production cost.



YS H SERIES
DUAL-COLOR INJECTION MOLDING MACHINE FOR SPECIAL PURPOSE
永生 H 型混双色注塑机（特种机）



H 型系列混双色注塑机 H Series Dual-color Injection Molding Machine

混双色成型机特点:

1. 具有两组独立比例控制系统，使用时分别控制两组的射出压力及速度。
2. 可选择散射、齐射、点射及交替注射，成型出各种不同的花色。
3. 射出两组及开合模均采用线性电子尺，可准确控制开合模及射出行程。

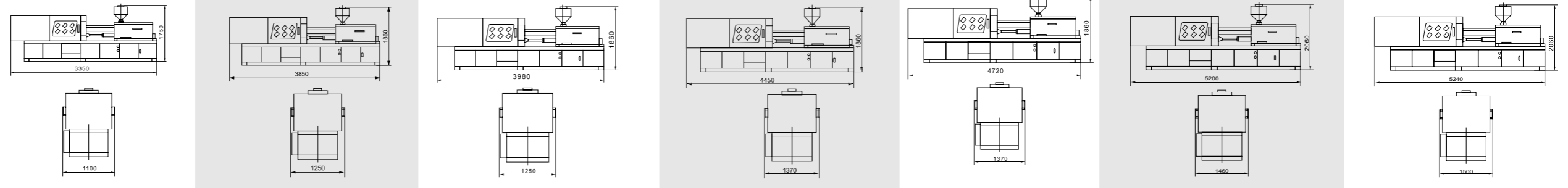
- Characteristics of Yongsheng mixed dual color plastic injection molding machines:
1. Two groups of proportional control systems independent from each other, can respectively control injection pressure and speed of the two groups.
 2. With optional scattered injection, centralized injection, dotted injection and alternative injection, different patterns can be molded.
 3. Injection of the two groups and mold opening/closing are carried out by using linear electronic transducer, allowing accurate control over mold opening/closing and injection stroke.

项目	NAME OF ITEM	单位	YS-1180H		YS-1880H		YS-2300H	
注射部分：	Injection unit	单位						
螺杆规格	Screw type		A	B	A	B	A	B
螺杆直径	Screw diameter	mm	34	30	42	38	42	38
螺杆长径比	Screw L/D ratio	L/D	16.5	18.7	20	22	20	22
理论注射容积	Theoretical shot volume	cm ³	108	84	221	181	221	181
注射重量 (PS)	Shot weight	g	98	76	201	165	201	165
注射压力	Injection pressure	Mpa	124	160	141	173	141	173
螺杆转速	Screw rotation speed	r.p.m	5-200		5-150		5-150	
合模装置：	Clamping unit							
合模力	Clamping force	KN	1180		1880		2300	
移动模板行程	Opening stroke	mm	330		420		520	
模厚	Mould thickness	mm	140-380		180-550		200-565	
拉杆内距(水平X垂直)	Space between tie-bars (HXV)	mm	360X360		460X460		550X530	
模板尺寸	Platen dimensions	mm	555X555		670X670		810X790	
模具定位孔	Mould register hole force	mm	φ125		φ125		φ125	
液压顶出力	Ejector force	KN	45		60		60	
顶出行程	Ejector stroke	mm	80		150		150	
顶出杆根数	Ejector quantity	PC	5		5		5	
其他：	Others							
油泵电机功率	Motor Power	KW	15		22		37	
电热功率	Heater capacity	KW	9.6		16.4		16.4	
机器尺寸 (长宽高)	Machine dimensions(LxWxH)	m	3.85X1.35X1.86		5.2X1.46X2.06		5.58X1.52X2.08	
机器重量	Machine weight	t	3		5		6.5	
油箱容积	Oil tank capacity	L	200		320		400	

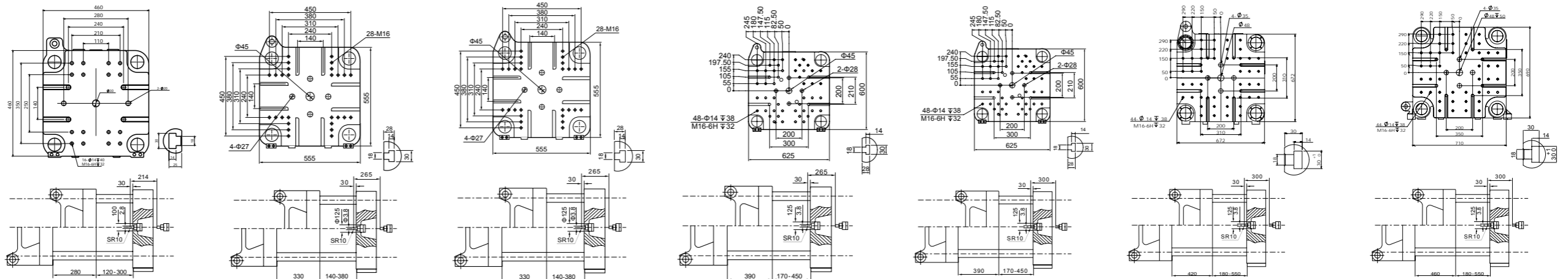
注：射出量按聚苯乙烯比重1.05计算；因产品不断改良，参数变更时恕不另行通知。
Notes: The Shot weight is based on polystyrene at specific gravity of 1.05. For product improvement, the parameters are subject to change without prior notice.

项目	NAME OF ITEM	单位	YS700			YS1080			YS1180			YS1380			YS1600		YS1880			YS1900			
注射部分:	Injection unit																						
螺杆规格	Screw type		A	B	A	B	C	A	B	C	A	B	C	A	B	A	B	C	A	B	C		
螺杆直径	Screw diameter	mm	28	30	30	34	38	38	42	45	38	42	45	40	45	40	45	48	40	45	48		
螺杆长径比	Screw L/D ratio	L/D	21.4	20	23.3	20.6	18.4	22.1	20.0	18.7	22.1	20.0	18.7	23.5	20.9	23.5	20.9	19.6	23.5	20.9	19.6		
理论注射容积	Theoretical shot volume	cm ³	80	91	109	140	175	192	235	270	192	235	270	301	381	301	381	434	301	381	434		
注射重量 (PS)	Shot weight	g	72	82	99	127	159	174	213	245	174	213	245	273	346	273	346	400	273	346	400		
注射压力	Injection pressure	Mpa	192	168	218	170	136	193	158	137	193	158	137	210	165	210	165	145	210	165	145		
螺杆转速	Screw rotation speed	r.p.m	5-220			5-210			5-200			5-200			5-200		5-200			5-200			
合模装置:	Clamping unit																						
合模力	Clamping force	KN	700			1080			1180			1380			1600		1880			1900			
移动模板行程	Opening stroke	mm	280			330			330			390			390		420			460			
模厚	Mould thickness	mm	120-300			140-380			140-380			170-450			170-450		180-550			180-550			
拉杆内距 (水平 X 垂直)	Space between tie-bars (HXV)	mm	310X310			360X360			360X360			420X400			420X400		460X460			495X475			
模板尺寸	Platen dimensions	mm	460X460			555X555			555X555			625X600			625X600		672X672			710X690			
模具定位孔	Mould register hole force	mm	φ100			φ125			φ125			φ125			φ125		φ125			φ125			
液压顶出力	Ejector force	KN	30			45			45			45			45		60			60			
顶出行程	Ejector stroke	mm	65			80			80			140			140		150			150			
顶出杆根数	Ejector quantity	PC	1			5			5			5			5		5			5			
其他:	Others																						
油泵电机功率	Motor Power	KW	7.5			11			15			15			18.5		18.5			18.5			
电热功率	Heater capacity	KW	5.5			7.1			8.3			8.3			11		11			11			
机器尺寸 (长宽高)	Machine dimensions(LxWxH)	m	3.35X1.1X1.75			3.85X1.25X1.86			3.98X1.25X1.86			4.45X1.37X1.86			4.72X1.37X1.86		5.20X1.46X2.06			5.24X1.5X2.06			
机器重量	Machine weight	t	2			3			3.5			3.8			4		5			5.1			
油箱容积	Oil tank capacity	L	175			200			200			230			250		320			320			

MACHINE DIMENSIONS 产品外形尺寸



MOVING PLATEN DIMENSIONS 产品模板尺寸



注: 射出量按聚苯乙烯比重1.05计算; 因产品不断改良, 参数变更时恕不另行通知。

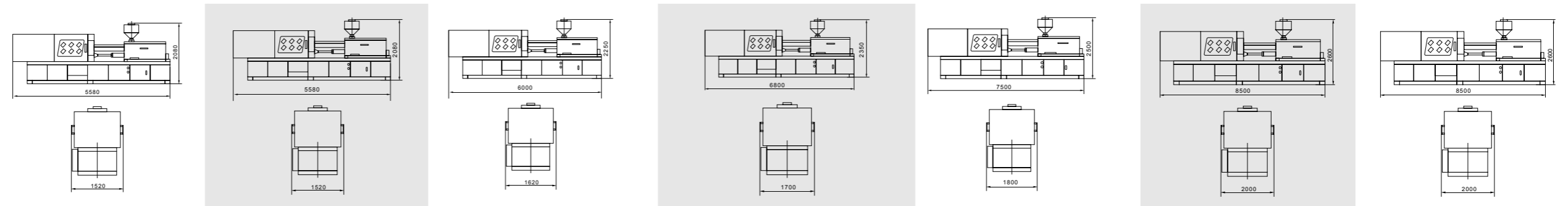
Notes: The Shot weight is based on polystyrene at specific gravity of 1.05. For product improvement, the parameters are subject to change without prior notice.

MACHINE SPECIFICATION 技术参数表 (全连体 Full connect)

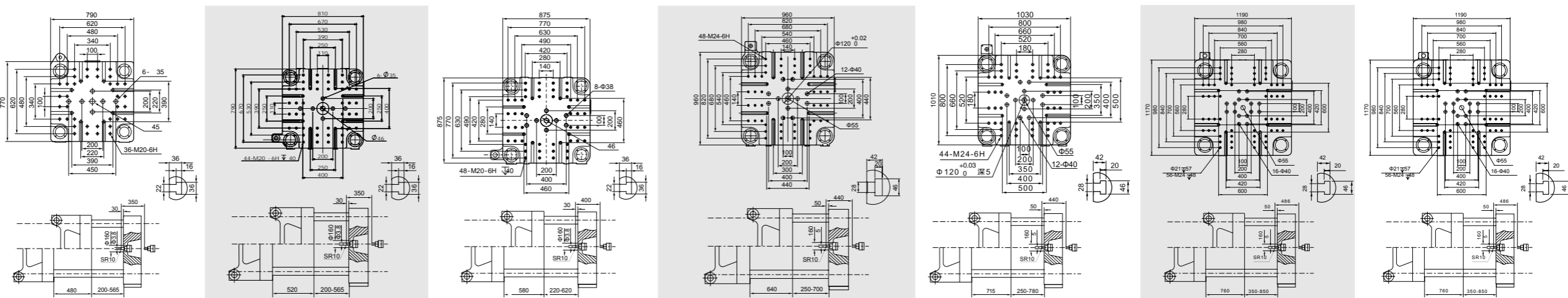


项目	NAME OF ITEM	单位	YS2280			YS2300			YS2880			YS3380			YS3800			YS5200			YS5300				
注射部分:	Injection unit																								
螺杆规格	Screw type		A	B	C	A	B	C	A	B	C	A	B	C	A	B	C	A	B	C	A	B	C		
螺杆直径	Screw diameter	mm	42	45	50	45	50	55	50	55	60	60	65	70	60	65	70	75	80	85	75	85	90		
螺杆长径比	Screw L/D ratio	L/D	23.8	22.2	20.0	22.2	20.0	22.2	24.0	21.8	20.0	22.5	20.8	19.3	24.2	22.3	20.7	23.3	21.9	20.6	23.3	20.6	19.4		
理论注射容积	Theoretical shot volume	cm ³	387	445	549	445	549	664	608	736	876	918	1077	1250	1102	1293	1500	1987	2260	2552	1987	2552	2861		
注射重量 (PS)	Shot weight	g	352	404	500	404	500	605	553	669	800	835	980	1137	1002	1176	1365	1808	2056	2322	1808	2322	2603		
注射压力	Injection pressure	Mpa	225	196	159	196	159	131	205	170	142	198	169	145	213	181	156	186	163	145	186	145	129		
螺杆转速	Screw rotation speed	r.p.m	5-200			5-200			5-180			5-180			5-180			5-160			5-160				
合模装置:	Clamping unit																								
合模力	Clamping force	KN	2280			2300			2880			3380			3800			5200			5300				
移动模板行程	Opening stroke	mm	480			520			580			640			715			760			760				
模厚	Mould thickness	mm	200-565			200-565			220-620			250-700			250-780			350-850			350-850				
拉杆内距 (水平 X 垂直)	Space between tie-bars (HXV)	mm	520X500			550X530			605X605			660X660			720X700			800X780			820X800				
模板尺寸	Platen dimensions	mm	790 X770			810X790			875X875			960X960			1030X1010			1170X1150			1170X1150				
模具定位孔	Mould register hole force	mm	φ160			φ160			φ160			φ160			φ160			φ160			φ160				
液压顶出力	Ejector force	KN	60			60			80			100			100			160			160				
顶出行程	Ejector stroke	mm	150			150			170			160			180			180			180				
顶出杆根数	Ejector quantity	PC	5			5			9			13			13			17			17				
其他:	Others																								
油泵电机功率	Motor Power	KW	22			22			30			30			37			45			55				
电热功率	Heater capacity	KW	12.6			12.6			15.1			20.7			23.4			33.2			33.2				
机器尺寸 (长宽高)	Machine dimensions(LxWxH)	m	5.58X1.52X2.08			5.58X1.52X2.08			6.0X1.62X2.25			6.8X1.7X2.35			7.5X1.8X2.5			8.5X2X2.6			8.5X2X2.6				
机器重量	Machine weight	t	6.4			6.6			9			11			14			20			20.5				
油箱容积	Oil tank capacity	L	400			400			500			500			850			1000			1000				

MACHINE DIMENSIONS 产品外形尺寸



MOVING PLATEN DIMENSIONS 产品模板尺寸



注: 射出量按聚苯乙烯比重1.05计算; 因产品不断改良, 参数变更时恕不另行通知。

Notes: The Shot weight is based on polystyrene at specific gravity of 1.05. For product improvement, the parameters are subject to change without prior notice.

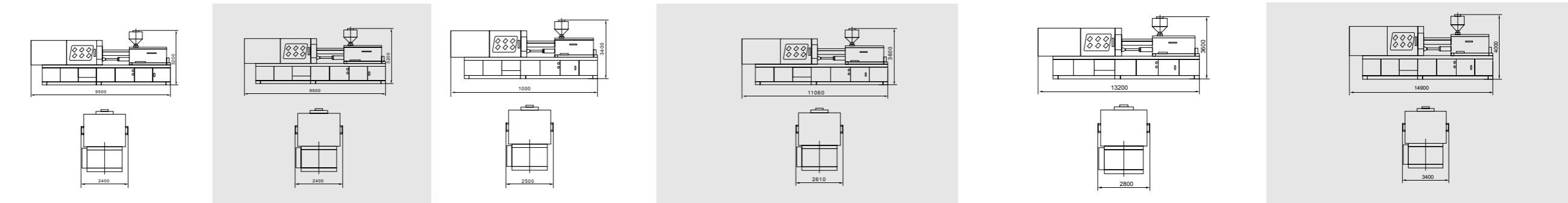
MACHINE SPECIFICATION 技术参数表 (全连体 Full connect)



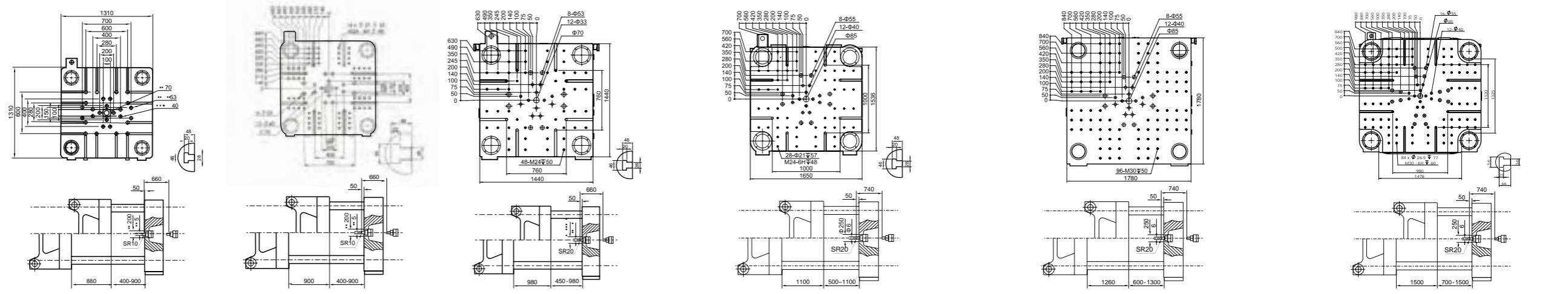
www.yongshengmachine.com 永生塑机

项目	NAME OF ITEM	单位	YS6380			YS6500			YS7800			YS10000			YS12500			YS16000		
注射部分:	Injection unit																			
螺杆规格	Screw type		A	B	C	A	B	C	A	B	C	A	B	C	A	B	C	A	B	C
螺杆直径	Screw diameter	mm	90	95	100	90	95	100	90	100	110	100	112	125	110	120	135	130	140	150
螺杆长径比	Screw L/D ratio	L/D	22.2	21.0	20	22.2	21.0	20	24.4	22.0	20.0	26.0	23.2	20.8	25.8	23.7	21.0	25	23	21.6
理论注射容积	Theoretical shot volume	cm ³	2797	3177	3454	3052	3400	3768	3306	4082	4939	4435	5563	6930	5889	7008	8870	8623	10000	11480
注射重量 (PS)	Shot weight	g	2545	2836	3143	2777	3094	3428	3008	3714	4494	4035	5062	6306	5358	6377	8071	7846	9100	10446
注射压力	Injection pressure	Mpa	180	161	146	180	161	146	207	168	138	201	160	128	190	160	126	164	141	123
螺杆转速	Screw rotation speed	r.p.m	5-150			5-150			5-130			5-120			5-100			5-100		
合模装置:	Clamping unit																			
合模力	Clamping force	KN	6380			6500			7800			10000			12500			16000		
移动模板行程	Opening stroke	mm	880			900			980			1100			1260			1500		
模厚	Mould thickness	mm	400-900			400-900			450-980			500-1100			600-1300			700-1500		
拉杆内距 (水平X垂直)	Space between tie-bars (HXV)	mm	860X860			910X910			980X980			1100X1050			1260X1260			1500X1350		
模板尺寸	Platen dimensions	mm	1310X1310			1350X1350			1440X1440			1650X1536			1780X1780			2080X1920		
模具定位孔	Mould register hole force	mm	φ200			φ200			φ250			φ250			φ250			φ315		
液压顶出力	Ejector force	KN	195			195			195			215			245			342		
顶出行程	Ejector stroke	mm	260			260			260			320			320			400		
顶出杆根数	Ejector quantity	PC	17			17			21			21			21			21		
其他:	Others																			
油泵电机功率	Motor Power	KW	30+30			30+30			37+37			45+45			55+55			45+45+45		
电热功率	Heater capacity	KW	36.5			41.5			51.8			64.4			68			90		
机器尺寸 (长宽高)	Machine dimensions(LxWxH)	m	9.5X2.4X3.2			9.5X2.4X3.2			10.0X2.5X3.4			11.06X2.61X3.6			13.2X2.8X3.6			14.9X3.4X4		
机器重量	Machine weight	t	30			30			39			48			66			110		
油箱容积	Oil tank capacity	L	1200			1200			1400			1800			2200			2500		

MACHINE DIMENSIONS 产品外形尺寸



MOVING PLATEN DIMENSIONS 产品模板尺寸



注: 射出量按聚苯乙烯比重1.05计算; 因产品不断改良, 参数变更时恕不另行通知。

Notes: The Shot weight is based on polystyrene at specific gravity of 1.05. For product improvement, the parameters are subject to change without prior notice.